

## GM-STHL Square "T" Handle Latch

### Features

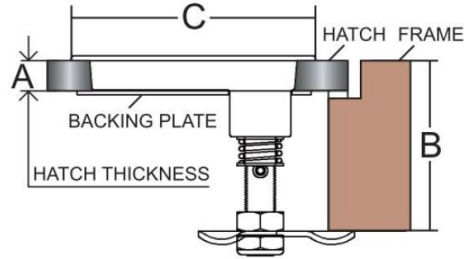
- Watertight
- Spring loaded handle for anti-rattle operation
- Simple rectangle installation cutout
- Hidden fasteners
- Strike plate is included and installed under frame which helps compress hatch

### Material

- Stainless steel 316

### Notes

- Uses screw size #10



Part No.	Type	A	B	C
GM-STHL-J021243	Non Locking	4 ~ 15	55 ~ 70	97
GM-STHL-J121423	Locking			

## GM-CRTHL Compression Round "T" Handle Latch

### Features

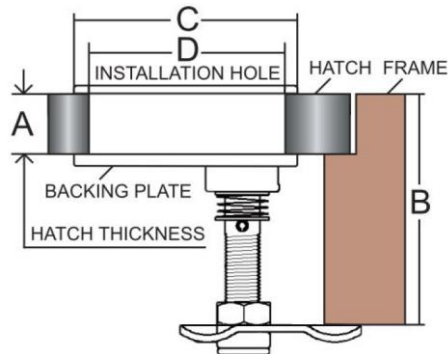
- Watertight
- Spring loaded handle for anti-rattle operation
- When handle is pressed down, pawl will be raised to compress hatch
- Ideal for gasketed hatches
- **GM-CRTHL-J507557** is designed for aluminum boat applications, it includes 2 mm spacer which can be installed under flange for waterproofing and isolating stainless steel from aluminium

### Material

- Stainless steel 316

### Parts Included

- Installation screws (size #8)
- 7 mm spacer



Part No.	Type	Finish	A	B	C	D
GM-CRTHL-J507554	Non Locking	Bright	6 ~ 16	58 ~ 82	79	70
GM-CRTHL-J507555		Dull				
GM-CRTHL-J507557	Locking	Dull	4 ~ 9			